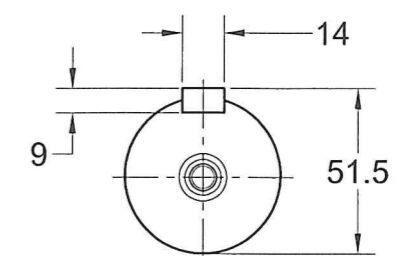


DO NOT SCALE THE DRAWING

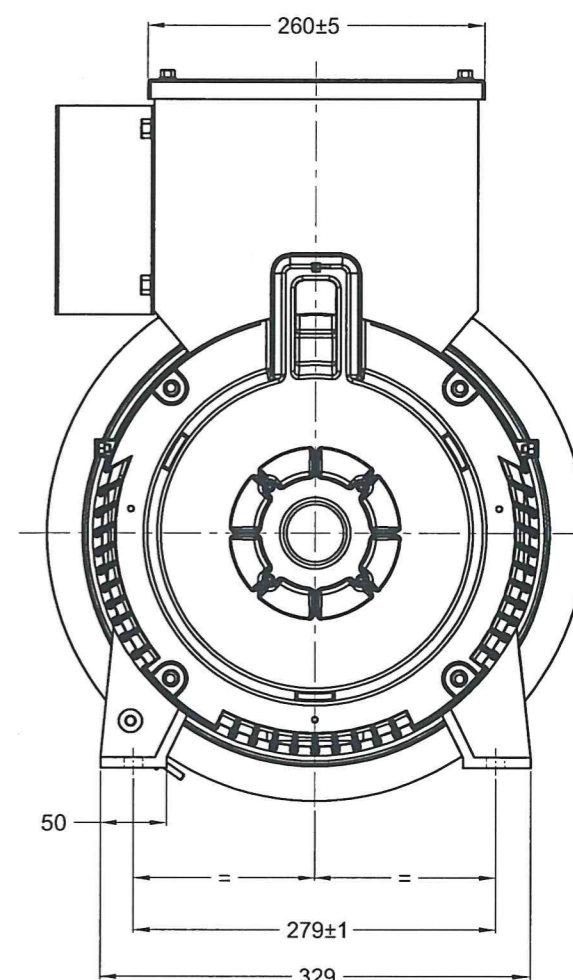
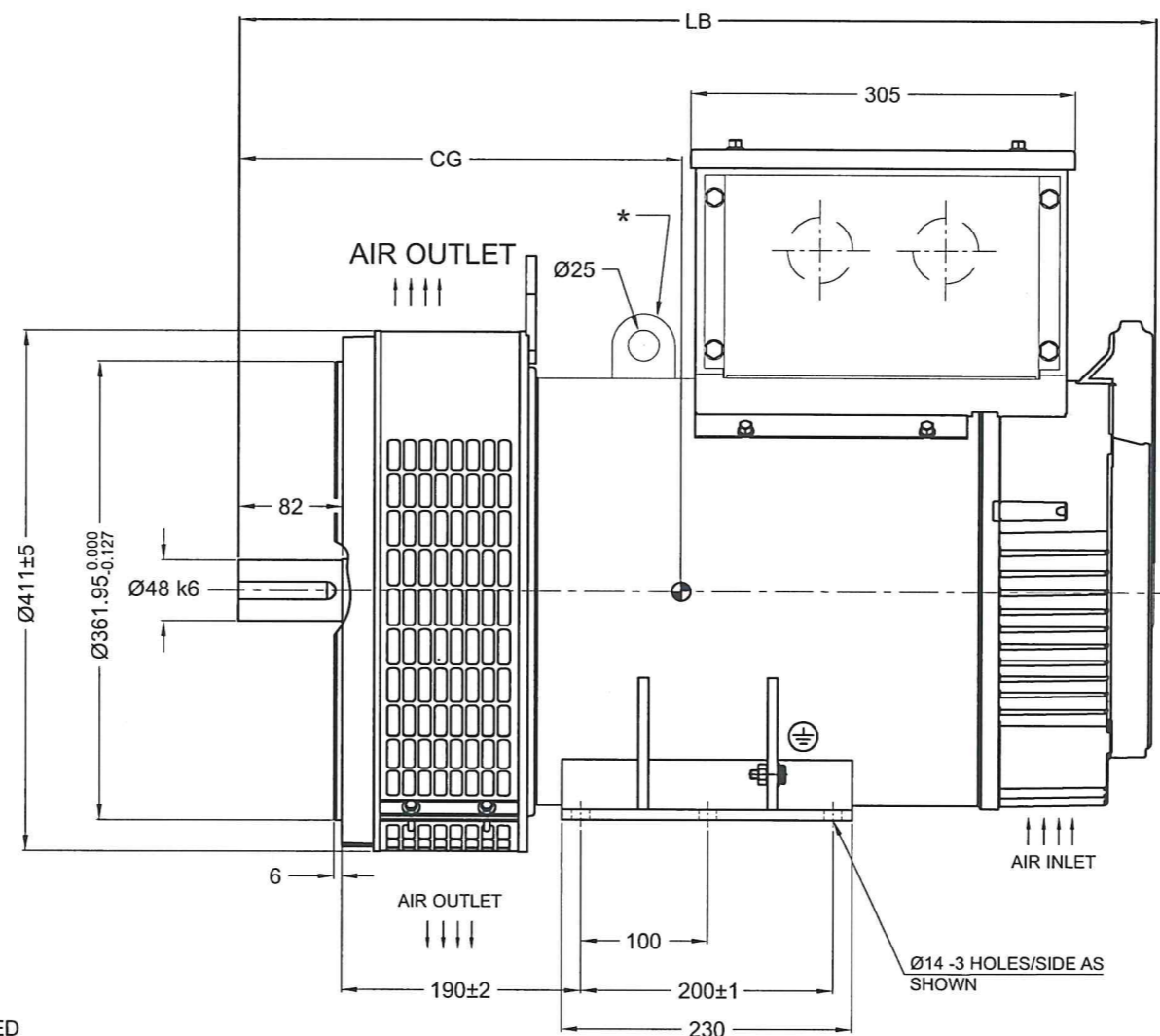
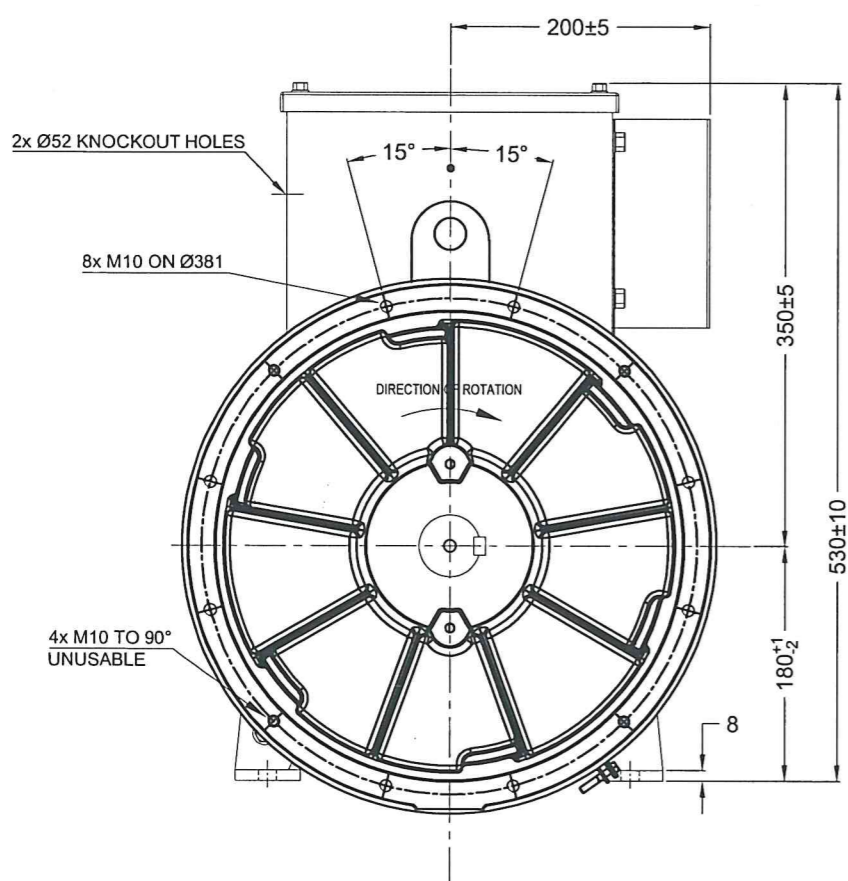
IF IN DOUBT ASK

ALL DIMENSIONS ARE IN mm

SL No.	FRAME	LB	CG	WEIGHT(Kg) APPROX.
1	LSA 180 A 16	655	307	128
2	LSA 180 B 16		307	128
3	LSA 180 C 16		307	128
4	LSA 180 D 16		327	148
5	LSA 180 E 16		342	162
6	LSA 180 F 16		357	176
7	LSA 180 G 16	725	372	196
8	LSA 180 H 16		372	196
9	LSA 180 I 16		387	211
10	LSA 180 J 16		402	225



SHAFT EXTENSION DETAILS



NOTE:- 1. SUFFICIENT CLEAR SPACE AROUND THE GENERATOR TO BE PROVIDED FOR FREE ENTRY / EXIT OF THE REQUIRED QUANTITY OF COOLING AIR TO ENSURE GOOD VENTILATION.

CONSTRUCTION : B3
 COOLING : IC01
 PROTECTION : IP 23

NOTE : * APPLICABLE FOR SL No.7 TO 10

USED ON		SCALE		DRAWN		CHECKED		APPROVED	
LSA 180 16 (DOUBLE BEARING)		NTS		AG 630		VNR		VK	
TITLE		DRG. No.		Dt. 07.05.2024		Dt. 07.05.2024		Dt. 07.05.2024	
DIMENSION DRAWING		AG324165 R00		1st RELEASE ON CT No. -		SHEET No. 01 OF 01			

ALL INFORMATION CONTAINED IN THIS DOCUMENT IS CONFIDENTIAL AND THE PROPERTY OF THE COMPANY. REPRODUCTION OF THESE IN ANY FORM IS TO BE DONE WITH PERMISSION OF THE COMPANY.

REV	ZONE	CT No.	BRIEF RECORD	SIGNATURE	DATE

NIDEC INDUSTRIAL AUTOMATION INDIA PRIVATE LTD
 BANGALORE-562162